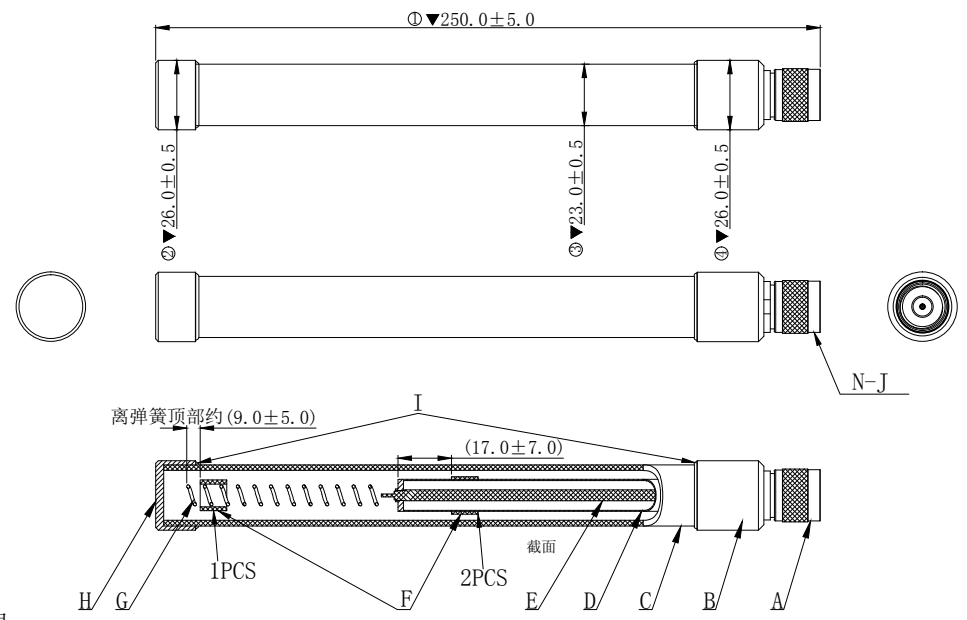


REV.	ECN NUMBER	DESCRIPTION	DATE	DRAWN	CHECKED	APPROVED
X1	ECN231366	REASE FOR PRODUCTION	06/25' 23	刘晓峰	丁第斌	牛宝星



NOTES:

- 无明显压痕、无毛刺、划伤、变形等不良。  
NO OBVIOUS INDENTATION, NO BURR, SCRATCHES, DEFORMATION AND OTHER BAD.
- 盐雾: 48H.  
SALT SPRAY: 48H.
- VSWR测试: 470-510MHz ≤ 3.5  
网分带宽设置: 100MHz-1000MHz  
VSWR TEST: 470-510MHz ≤ 3.5  
Network bandwidth is set: 100MHz-1000MHz
- 标有“⊗”为FAI首件全检尺寸。  
MARK “⊗” WAS FAI DIMENSIONS.
- 标有“▼”为QC重点检测尺寸。  
MARK “▼” WAS CRITICAL DIMENSIONS.
- 有害物质须符合ECT《QE-Q-19-001环境有害物质管理基准》管控标准。  
HSF SHALL CONFORM TO THE STANDARD QE-Q-19-001 ENVIRONMENTAL HAZARDOUS SUBSTANCES MANAGEMENT.

I	胶水	1	AB胶, NO. 660-4, 50ML/支, 华麟电子
H	顶帽	1	顶帽, 15*OD26mm, 接OD23mm玻璃钢, 48H盐雾
G	弹簧	1	Lora玻璃钢天线-弹簧OD1.2*77.1mm, 弹簧钢, 镀镍
F	泡棉	3	防震棉50*10mm, T=1.0mm, EVA, 黑色
E	CABLE	1	RG141/50欧姆, 镀银铜线, 蓝色表皮, L=144MM
D	铜管组件	1	Lora玻璃钢天线-铜管组件OD12*121mm
C	玻璃钢管	1	Lora玻璃钢管, 白色, OD23*217mm
B	铝管固定件	1	铝管固定件, OD26*25mm, 接OD23mm玻璃钢, 48H盐雾
A	N头连接器	1	N公头公针, FOR RG141, 主体黄铜镀镍, 中心针镀金, 48H盐雾
ITEM	PART NAME	Q'TY	MATERIAL / FINISH

	GENERAL TOLERANCE		SCALE: 1:1	DRAWN: 刘晓峰	DATE: 06/25' 23	DWG. NO: 600-V372-01	TITLE: ANT_EX_Lora_HG26*250mm_N-J-W	REV. X1
	X ± 0.20	X.° ± 1°	UNIT: mm	CHECK:	DATE:	PARTS NO. (INTENDED USE): 81800V372	Customer Figure	SHEET: 1/1
	.XX ± 0.10	XX.° ± 1°	SIZE: A4	APPROVE:	DATE:			
		XXX.° ± 1°						