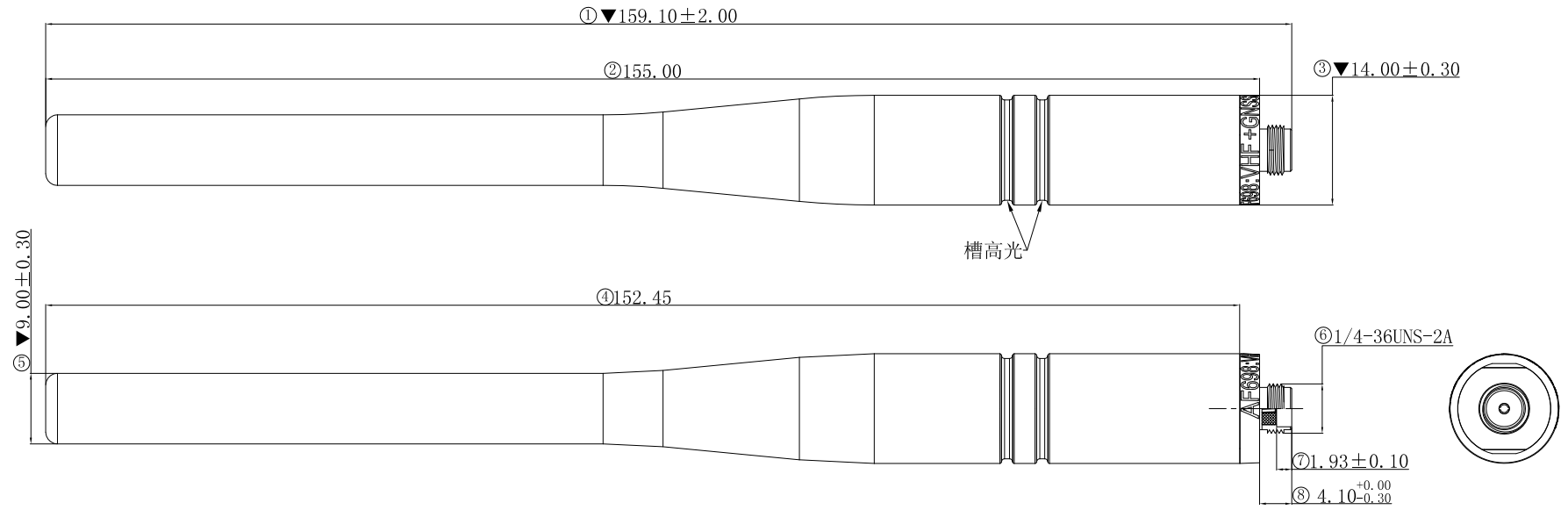


REV.	ECN NUMBER	DESCRIPTION	DATE	DRAWN	CHECKED	APPROVED
X1	ECN23*	FIRST REASE	09/15' 23	梁兑泉	丁第斌	牛宝星



备注:

1. 材质: 塑胶壳: TPU, 黑色. SMA连接器, 镀镍.
 2. 天线频率范围: 136MHz-156MHz, VSWR≤4.5 ;
1575±5MHz, VSWR≤2.5.
- 测试要求: 全检VSWR测试.
测试设备: 网分测试.
3. 标有“▼”为QC重点检测尺寸.
 4. 盐雾48H.
 5. 有害物质须符合ECT《QE-Q-19-001环境有害物质管理基准》管控标准.

NOTE:

1. Material: Plastic shell, TPU, black. SMA connector,
 2. The antenna frequency range: 136MHz-156MHz, VSWR≤4.5 ;
1575±5MHz, VSWR≤2.5.
- Pattern test requirements: all inspection VSWR test.
Testing equipment: net points test.
3. Marked “▼” key size detection for QC.
 4. Salt fog 48 h.
 5. HSF shall conform to the standard QE-Q-19-001
Environmental Hazardous Substances Management.

镭雕字符说明

AF698: VHF+GNSS XX

AF698: VHF+GNSS XX

产品生产年份后两位, 例: 2023生产的镭雕23.

产品频段信息

产品型号

AF698: VHF+GNSS XX

PC绿色色环配件

镭雕字符

字符字体: Tahoma, 字符高度: T=2.20mm, 字符朝向: 字体顶部与配件进胶口&倒角面平行.

b	配件	1	AF698-胶杆天线, 直径14.0*2.5mm_PC绿色色环配件
a	半成品	1	136-黑色TPU胶杆, 直径14.0*155.0
ITEM	PART NAME	Q' TY	MATERIAL / FINISH

	GENERAL TOLERANCE		SCALE: 1:1	DRAWN: 梁兑泉	DATE: 09/15' 23	DWG. NO: 600-V595-01	TITLE: ANT_EX_VHF+GNSS_TPU+shell -PH6_VHF-AF698	REV. X1
	.X±0.30	X.°±1°	UNIT: mm	CHECK:	DATE:	PARTS NO. (INTENDED USE): 81800V595		SHEET: 1/1
	.XX±0.10	XX.°±1°	SIZE: A4	APPROVE:	DATE:			