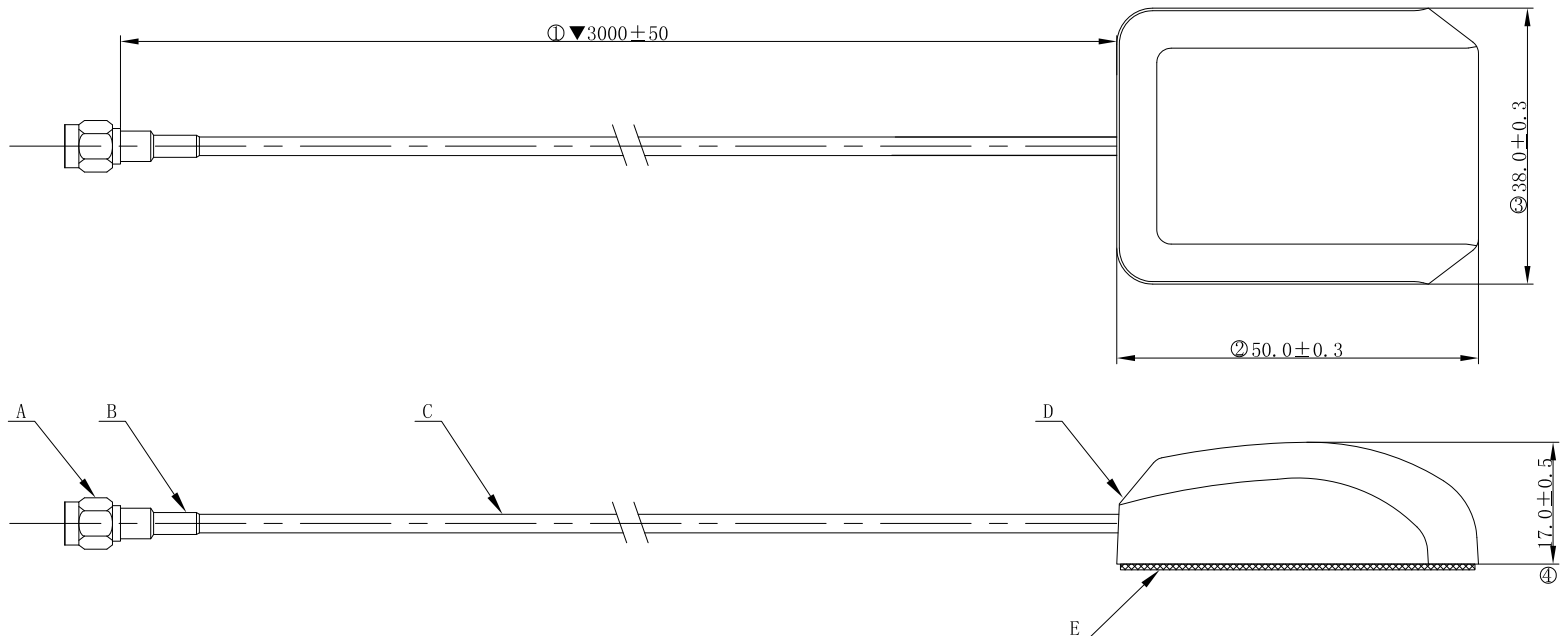


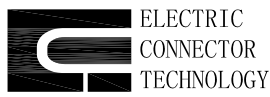
REV.	ECN NUMBER	DESCRIPTION	DATE	DRAWN	CHECKED	APPROVED
X1	ECN211759	初版发行	03/08'22	梁兑泉	丁第斌	牛宝星



- 备注:
- 各部件装配完后不得有油污、划痕、变形等外观不良。
 - 各部件装配完成后无明显色差。
 - 标有“▼”为QC重点检测尺寸
 - 频率: GPS L1 C/A:1575MHz, GLONASS L1: 1602MHz, BeiDou B1:1561 MHz
VSWR: ≤2.00 max;
测试仪器: 网络分析仪
 - 有害物质须符合ECT《QE-Q-19-001-环境有害物质管理基准》管控标准。

- NOTES:
- After the assembly of different parts can not have bad appearance of greasy dirt, scratches, deformation, etc.
 - The assembly after the completion of the various components without clear off color.
 - marked with "▼" key size detection for QC
 - Frequency: GPS L1 C/A: 1575 MHz, GLONASS L1:1602 MHz, BeiDou B1:1561 MHz
VSWR: 2.00 Max or less;
Testing instrument: network analyzer
 - HSF shall conform to the standard QE-Q-19-001 Environmental Hazardous Substances Management.

E	背胶	1	背胶+红色离型纸, ROHS
D	外壳	1	TPEE 颜色:黑色
C	线缆	1	RG174, 黑色, ROHS
B	热缩套管	1	OD3.00mm, L20mm, 颜色:黑色
A	连接器	1	SMA-J (公头公针) 镀金
ITEM	PART NAME	Q' TY	MATERIAL / FINISH



GENERAL TOLERANCE		SCALE: 1:1	DRAWN: 梁兑泉	DATE: 03/08'22	DWG. NO: 600-U851-01	TITLE: ANT_EX_GPS_50*38*17 _RG174-BK_L3000MM	REV. X1
XX. ± 2.00	XX. ° ± 3°	UNIT: mm	CHECK:	DATE:	PARTS NO. (INTENDED USE): 81800U851		SHEET: 1/1
X. ± 1.00	X. ° ± 2°	SIZE: A4	APPROVE:	DATE:			
.X ± 0.50	.X° ± 1°						
.XX ± 0.20							