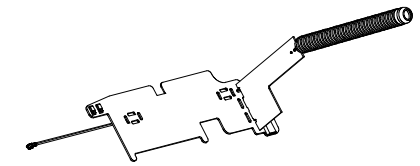
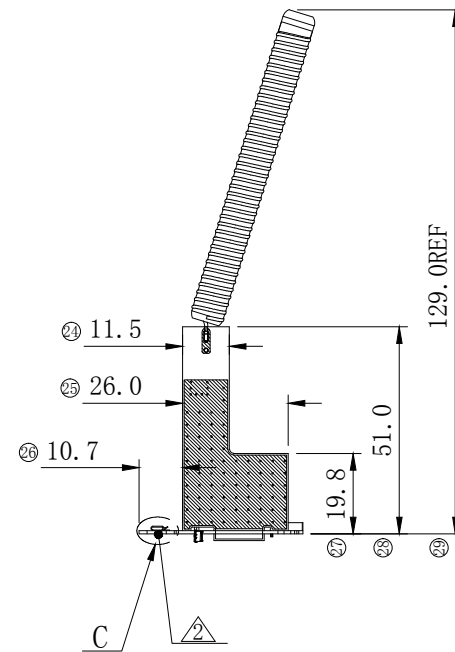
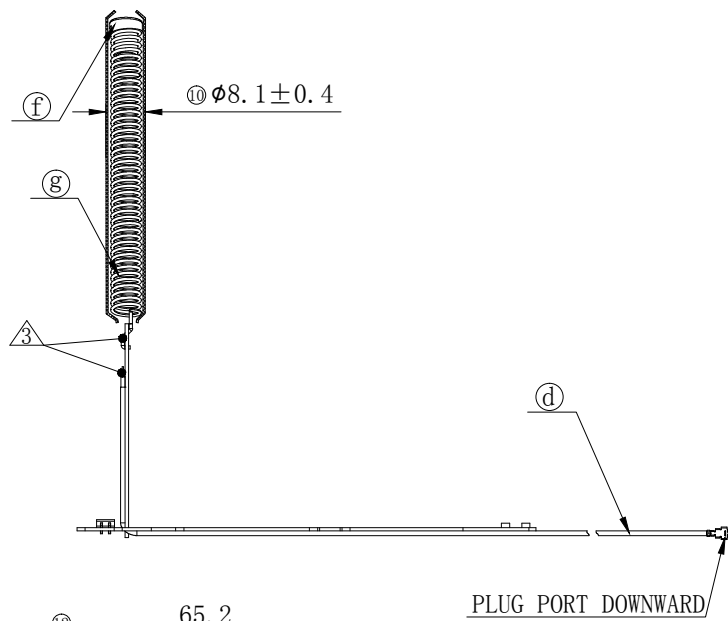
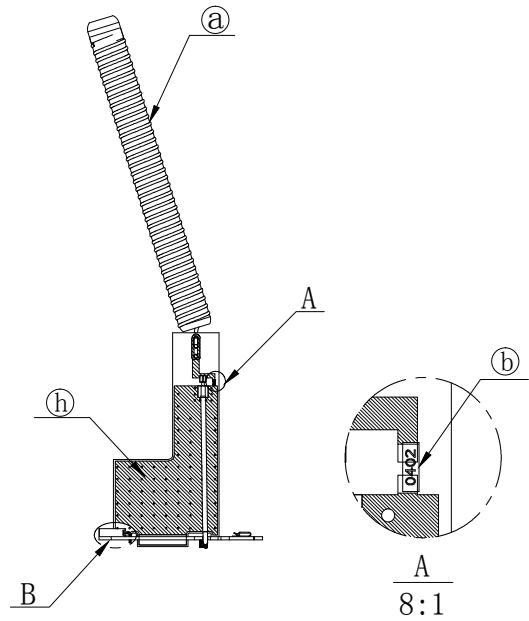
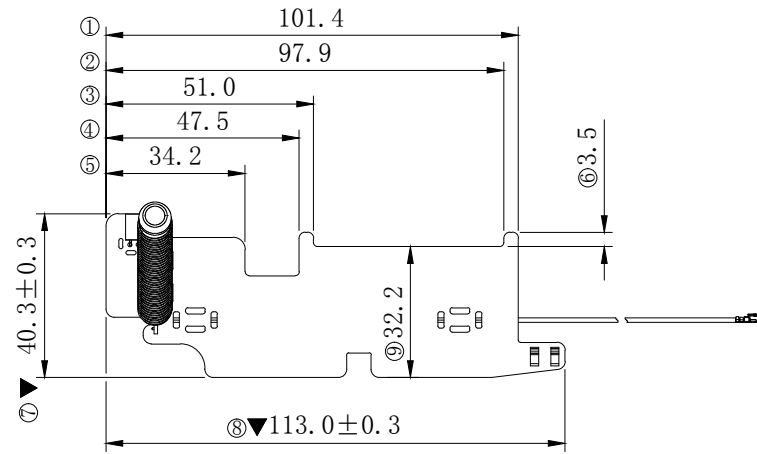


1. Antenna Specification/天线标准

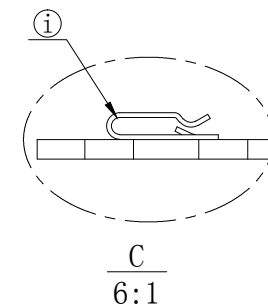
Antenna Specification/天线技术参数		
Electrical Specification/电气特性		
Item/目录	Specification/规格	Comment/备注
Freq. Range/频段范围	169-170 (MHz)	
Impedance/阻抗	50 (Ω)	
VSWR/驻波比	≤ 3.0	
Test condition/测试条件	passive test (无源测试)	
Total Efficiency/无源效率	N/A	
Mechanical Specification/机械指标		
Antenna type/天线类型	Steel + Spring	
Connector Type/连接器类型	ECT CON	
RF Cable Type/射频线型号	OD 1.13 Black	
Connector Torque Test/连接器扭力	N/A	
Connector Pull Test/连接器拉力	N/A	
Salt Spray/盐雾测试	48 H	
Environmental Specification /环境指标		
Operating temp/工作温度	-40°C ~ +80°C	
Storage temp/存储温度	-40°C ~ +85°C	

2. Antenna Picture/天线图片





3D 1:2



C
6:1

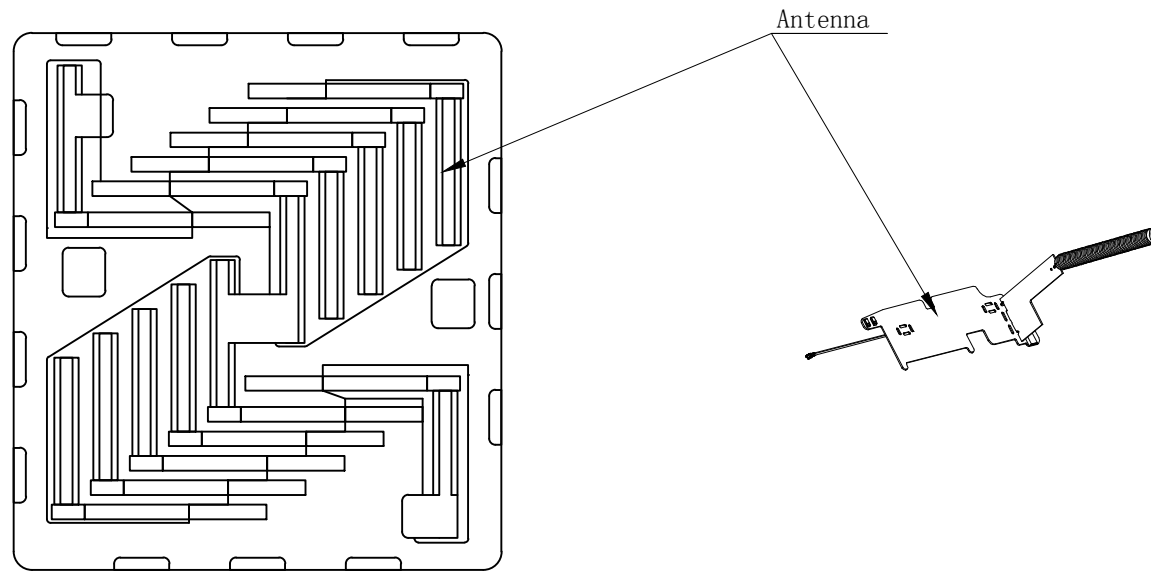
REV.	ECN NUMBER	DESCRIPTION	DATE	DRAWN	CHECKED	APPROVED
X1	ECN190203	FIRST RELEASE	02/13' 19	丁第斌	熊志辉	张英杰
X2	ECN190203	Update the appearance	10/13' 19	丁第斌	张英杰	牛宝星
X3	ECN190203	Add dimensioning	02/18' 20	丁第斌	张英杰	牛宝星

- NOTE:
- 100% VSWR TEST
 - NO COLD SOLDERING, SHIFT, SHORT, FLOATING, MISSING, DAMAGE DEFECT FOUND
 - NO COLD SOLDERING AND NO INSULATION BURNT
 - CRITICAL DIMENSION
 - ALL MATERIALS ARE IN COMPLIANCE WITH ROHS COMPLIANT

i	Plate Spring	2		SUS 301R-H T0.20, Au PLATED 1~3u"
h	PCB	1		FR4, 52.6*26.0, T=0.8mm, OSP, Green HF
g	Spring	1		Phosphor Bronze, OD 0.8mm (P=1.95MM)
f	Cap	1		ABS757, Black, OD8.0*9.0mm
e	Fixed mounts	1		SUS304, Ni PLATED, 113*40.3, T=0.8mm
d	Cable	1		USS I CONN PLUG for OD1.13cable, L=195mm, Black
c	Female Header	1		Model:PH2.0*6.35, 1*2P 90°
b	Capacitance	1		Model:0402 C1=30[pf] 50V 村田
a	Tube	1		Tube, OD12mm, BLACK
ITEM	PART NAME	Q'TY	PART #	MATERIAL / FINISH

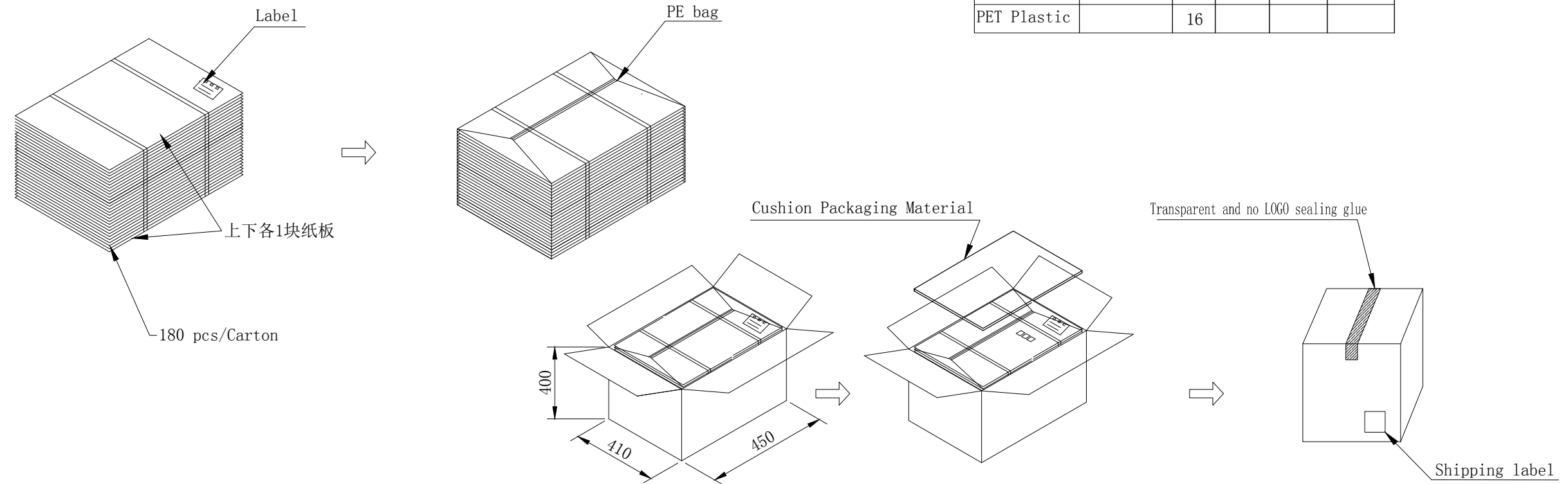
	GENERAL TOLERANCE		SCALE:	DRAWN:	DATE:	DWG. NO:	TITLE:	REV.
	.X±0.30	XX.°±3°	1:1	丁第斌	02/18'20	600-U135-01	Getis Antenna Assembly	X3
	.XX±0.20	X.°±2°	UNIT:	CHECK:	DATE:	PARTS NO. (INTENDED USE):		SHEET:
		.X°±1°	mm	APPROVE:	DATE:	81800U135	1/1	
		SIZE: A4						

REV.	ECN NUMBER	DESCRIPTION	Date	Drawn	Checkd	Approved
X1	ECN190203	FIRST RELEASE	10/13'19	丁第斌	张英杰	牛宝星



- NOTES:
1. Packing product light , avoid the product deformation
 2. The tape packaging, check for leaks installs, product placement direction is correct
 3. Check the whole stack of layers is correct
 4. If not filled with null box, cushion material should be related to fill
 5. After sealed the whole case, check the label content is correct
 6. Carton DIM:L450*W410*H400mm.

Packaging materials			Amount of packing		
Item	P/N	Q' TY	Pcs/Reel	Reel/Box	Box/Carton
Carton		1	12	15	180
Box					
PET Plastic		16			



GENERAL TOLERANCE	
XX. ±0.40	X.° ±2.0°
X. ±0.25	.X° ±1.0°
.X ±0.13	.XX° ±0.5°
XX ±0.05	

SCALE: 1:1

UNIT: mm

SIZE: A4

DRAWN 丁第斌

CHECK

APPROVE

DATE 10/13'19

DATE

DATE

DWG. NO. 551-U135-01

PARTS NO. (INTENDED USE) 81800U135

TITLE Getis 天线 包装规范图

REV. X1

SHEET 1/1

5. Antenna test result/测试结果

5.1 Return loss/Smith chart/VSWR/回波损耗/史密斯图/驻波比

