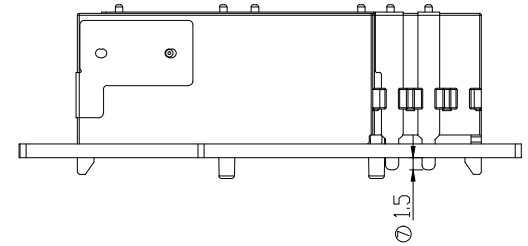
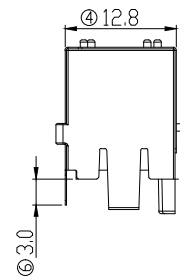
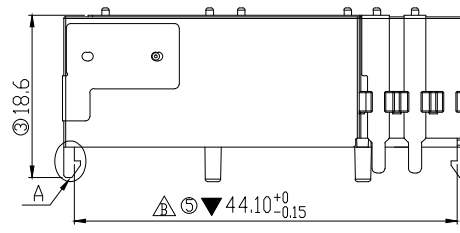
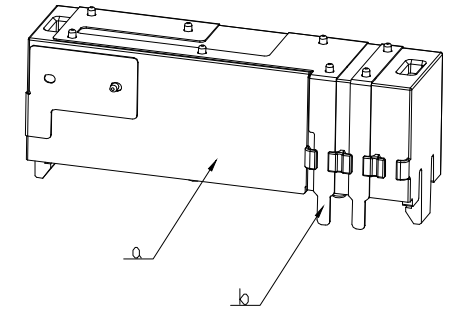
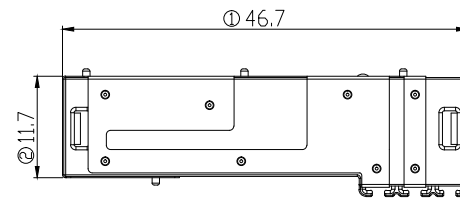
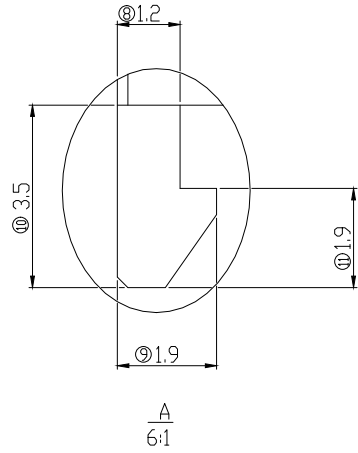
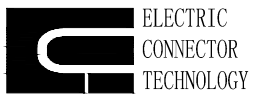


REV.	ECN NUMBER	DESCRIPTION	DATE	DRAWN	CHECKED	APPROVED
A	ECN192596	NEW RELEASE	01/08'20	DANIEL	ZYJ	NBX
B	ECN200595	CHANGE DIMENSION TOLERANCE: FROM 44.10 ⁰ _{0.10} TO 44.10 ⁰ _{0.15}	04/21'20	DANIEL	ZYJ	NBX



NOTES:
 1.MATERIAL:SEE TABLE.
 2.FREQUENCY RANGE: 700-960/1710-1880 MHz
 VSWR:
 700-960 MHz, VSWR \leq 3.5
 1710-1880MHz, VSWR \leq 2.5.
 3.ALL MATERIALS SHALL BE RoHS2.0&REACH COMPLIANT.

ITEM	PART NAME	Q'TY	PART #	DWG #	MATERIAL / FINISH
b	STAMPING	1	/	/	STAMPING, SUS301 PRE-Ni PLATED
a	HOUSING	1	/	/	HOUSING, CHIMEI PC 110, BLACK



GENERAL TOLERANCE	SCALE: 1:1	DRAWN: DANIEL	DATE: 04/21'20	DWG.NO: 600-U417-01	TITLE: ANT_IN_0918_16.7*13.9*19.2_CAMEL01	REV. B
X, \pm 0.30 XXX, $^{\circ}\pm$ 2 $^{\circ}$	UNIT: mm	CHECK:	DATE:	PARTS NO.(INTENDED USE): 81800U417		SHEET: 1/1
.X, \pm 0.15 .XX, $^{\circ}\pm$ 1 $^{\circ}$	SIZE: A4	APPROVE:	DATE:			
.XX, \pm 0.08						