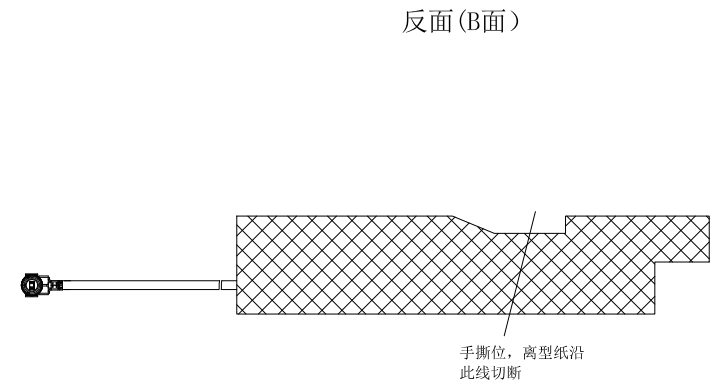
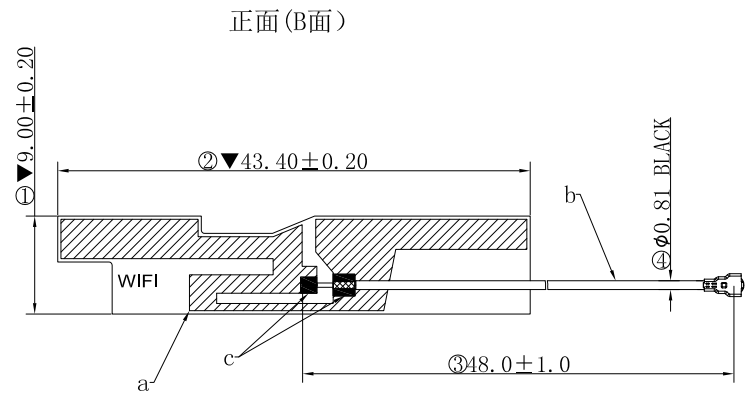


REV.	ECN NUMBER	DESCRIPTION	DATE	DRAWN	CHECKED	APPROVED
X1	ECN212662	初版发行	11/23' 21	梁兑泉	丁第斌	牛宝星



- 说明:
- 测试要求: VSWR全检测试, 矩阵测试。
测试范围: 2400-2500
VSWR ≤ 2.0
 - 焊接不能虚焊、假焊, 焊点须饱满, 屏蔽层不能有烫伤。
 - 标有“▼”为QC重点检测尺寸。
 - 有害物质须符合ECT《QE-Q-19-001环境有害物质管理基准》管控标准。

- Notes:
- Test requirements: VSWR, all testing test matrix.
Test range: 2400-2500
VSWR 2.0 or less
 - Welding can't virtual welding, welding, solder joints must be full, shielding layer cannot have burns.
 - marked with "▼" key size detection for QC.
 - HSF shall conform to the standard QE-Q-19-001 Environmental Hazardous Substances Management.

	端子朝上		线路区域
	端子朝下		背胶区域

c	Tin		环保锡丝, ODO.6mm
b	CABLE (φ0.81)	1	USS RF CABLE, G3, SG, 081BK, 48, 3484
a	FPC	1	2.4G WIFI-1_43.4*9.0_BK-HF_FPC
ITEM	PART NAME	Q' TY	MATERIAL / FINISH

	GENERAL TOLERANCE		SCALE: 1:1	DRAWN: 梁兑泉	DATE: 11/23' 21	DWG. NO: 600-U810-01	TITLE: ANT_IN_2.4G_43.4*9.0_X8-WIFI	REV. X1
	.XXX ± 0.05		UNIT: mm	CHECK:	DATE:			PARTS NO. (INTENDED USE): 81800U810
	.XX ± 0.10		SIZE: A4	APPROVE:	DATE:			
	.X ± 0.2							