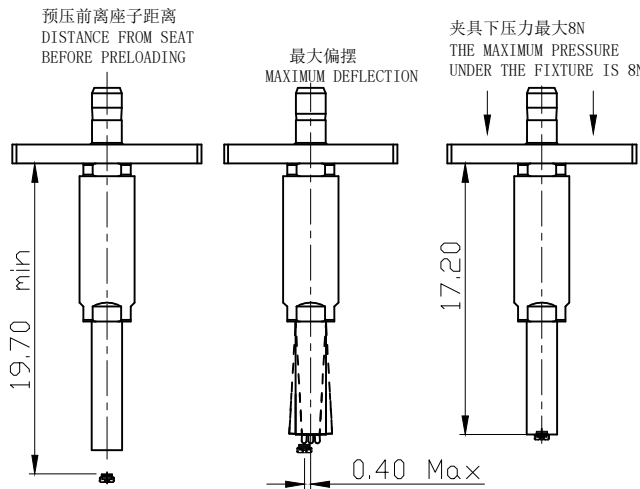
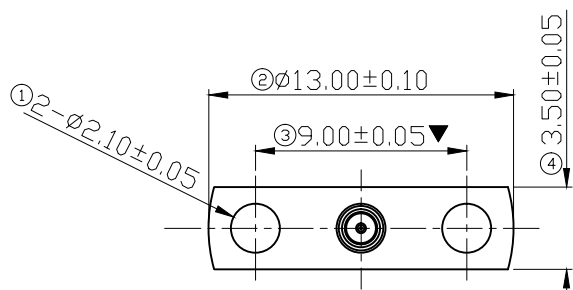


REV.	ECN NUMBER	DESCRIPTION	DATE	DRAWN	CHECKED	APPROVED
A	ECN202779	FIRST EDITION	09/16'21	hu	Martin	ken
A1	ECN202779	修改描述 MODIFY THE DESCRIPTION	10/12'22	hu	Martin	ken



技术参数 TECHNICAL PARAMETERS:

1. 电气特性 ELECTRICAL CHARACTERISTICS
 特性阻抗 CHARACTERISTIC IMPEDANCE: 50 Ω
 频率范围 FREQUENCY RANGE: DC-8GHz
 电压驻波比 VSWR: <1.2@DC-3GHz; <1.3@3-6GHz; <1.4@6-8GHz
 插入损耗 INSERTION LOSS: <0.4dB@DC-3GHz; <0.6dB@3-6GHz; <0.8dB@6-8GHz
 介质耐压 DIELECTRIC WITHSTAND VOLTAGE: > 300 V AC/1min

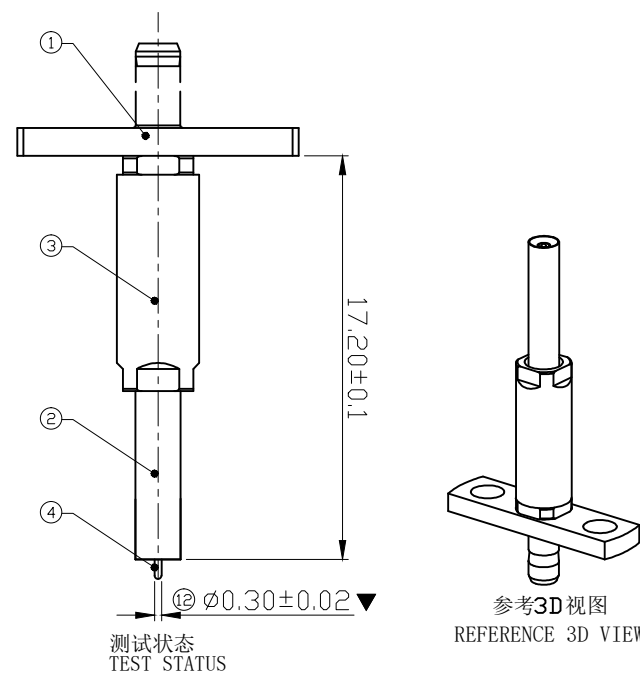
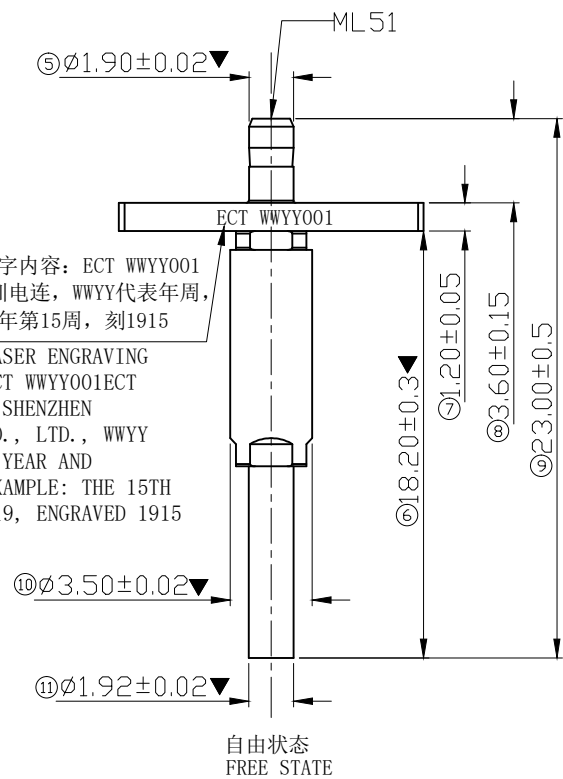
2. 机械特性 MECHANICAL CHARACTERISTICS
 外导体弹力 ELASTIC FORCE OF OUTER CONDUCTOR: 3.5 ± 1N (弹簧压缩 SPRING COMPRESSION 1.0 ± 0.1mm)
 中心针弹力 ELASTIC FORCE OF CENTER NEEDLE: 1.8 ± 0.4N (弹簧压缩 SPRING COMPRESSION 0.7 ± 0.1mm)
 连接器整体弹力 OVERALL ELASTICITY OF THE CONNECTOR: ≤ 8N
 针头初始偏摆量 INITIAL DEFLECTION OF NEEDLE: ≤ 0.1mm
 机械耐久性 MECHANICAL DURABILITY: > 10000 CYCLES

3. 环境特性 ENVIRONMENTAL CHARACTERISTICS
 工作温度范围 OPERATING TEMPERATURE RANGE: -40 °C ~ +85 °C
 湿度范围 HUMIDITY RANGE: 15% ~ 85%。
 有害物质需符合 ECT 《QE-Q-19-001 环境有害物质管理基准》 管控标准。
 HARMFUL SUBSTANCES MEET ECT “《QE-Q-19 - 001 ENVIRONMENTAL HARMFUL SUBSTANCES MANAGEMENT STANDARDS》” CONTROL SPECIFICATION.

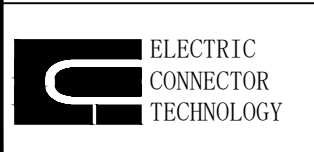
4. 重点管控 Key control:
 标有“▼”为重点检测尺寸, 标有“[X]”为要求做Cpk检测尺寸, 标有“⊗”为首样全检尺寸;
 MARKED “▼” FOR QIP ITEMS, AND MARKED “[X]” FOR CPK ITEMS, MARKED “⊗” FOR FAI ITEMS;

成品激光刻字内容: ECT WWYY001
 ECT代表深圳电连, WWYY代表年周,
 例如: 2019年第15周, 刻1915

FINISHED LASER ENGRAVING
 CONTENT: ECT WWYY001 ECT
 STANDS FOR SHENZHEN
 ELECTRIC CO., LTD., WWYY
 STANDS FOR YEAR AND
 WEEK, FOR EXAMPLE: THE 15TH
 WEEK OF 2019, ENGRAVED 1915



NO.	DESCRIPTION	FINISH
4	探针 THE PROBE	镀金 GOLD-PLATING
3	外壳 SHELL	镀镍 NICKEL-PLATING
2	外导体 OUTER CONDUCTOR	镀金 GOLD-PLATING
1	法兰 FLANGE	镀镍 NICKEL-PLATING



GENERAL TOLERANCE	
XX ± 0.40	XX ° ± 2°
X ± 0.30	X ° ± 1°
.X ± 0.25	.X ° ± 0.5°
.XX ± 0.13	

SCALE:	1:1
UNIT:	mm
SIZE:	A4

DRAWN:	Hu
CHECK:	
APPROVE:	

DATE:	09/16'21
DATE:	
DATE:	

DWG.NO:	600-22450-01
PARTS NO.(INTENDED USE):	818022450

TITLE:	MINI RF TEST ADAPTER 6GEN 23*9*3.5
--------	---------------------------------------

REV.	A1
SHEET:	1/1